

Loudspeakers

Mountable Speakers

Power amps | Active Modules

DSP Amp Technology

DeToma
bringt Technik in Form

E130 · E130 active



Loudspeakers

Mountable Speakers

Power Amps | Active Modules

DSP Amp Technology

DeToma
bringt Technik in Form

E130 · E130 active

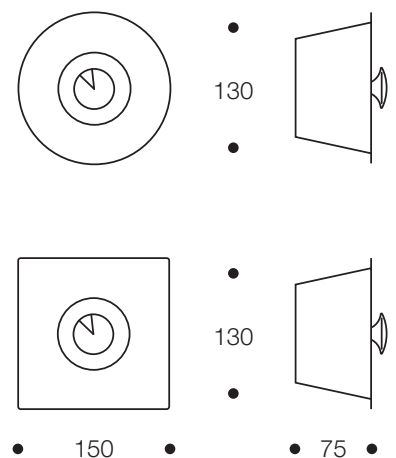


The E130 mountable speaker surprises with a extremely wide sound field. This is achieved by the DeToma Audio Lense System wich is also the conspicuous feature of the E130.

The E130 is manufactured out of a solid block of aluminum. The burshed and anodiced surface gives the E130 a metallic silky lustre. The E130 active includes the A403 active module to perfect the frequency response. This combination produces an unexpected powerfull and clear sound.



Case/Front	anodized aluminium
Tweeter	20 mm
Woofers	100 mm
Power rating	50 Watt /8 Ohm
Power (active)	2 x 35 Watt RMS
Frequency range	85–22,000 Hz
Frequency range (active)	75–22,000 Hz
Sound distribution	170 degrees omnidirectional
Exterior dimensions	150 x 150 mm
Fitting diameter	130 mm
Fitting depth	75 mm
Ceiling depth	10–40 mm
Notes	Moisture proof
Accessory	Rear enclosure



Specifications are subject to change without prior notice.